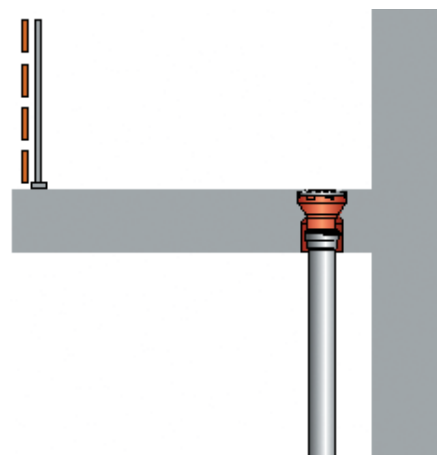


Specification sheet LX 993

Balcony drainage system Series I, G, GF, GS, for upper balconies



Main drainage	
Gravity flow	
Silent	
Discharge rate:	2,9 l/s
Water height:	35 mm
Roof penetration:	120 - 350 mm
Diameter:	DN 100
LX-Number:	LX 993
Weir height:	-
Drain:	ventilated
Downpipe:	ventilated
Downpipe height:	-
Drainage:	-
Flange form:	-

LX 993 Piece list

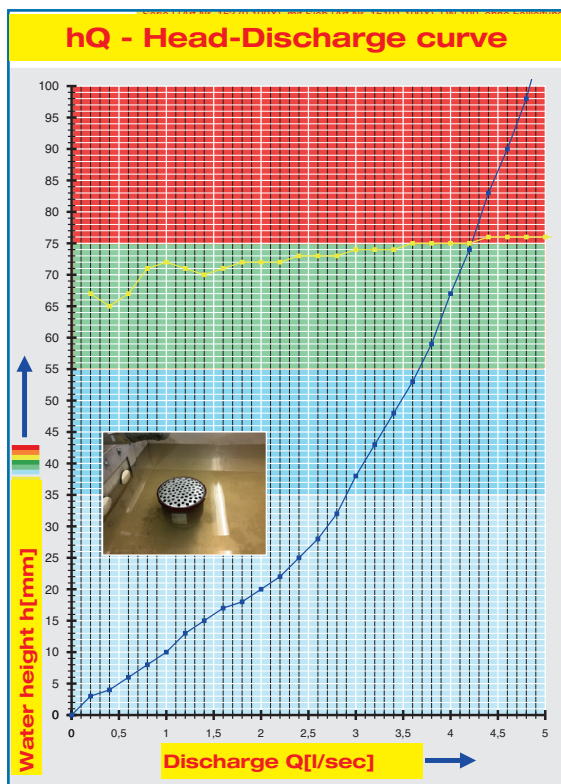
1 x Art.-No. choose drain on page two!

1 X Art.-No. 16191.100X, Strainer for upper balconies

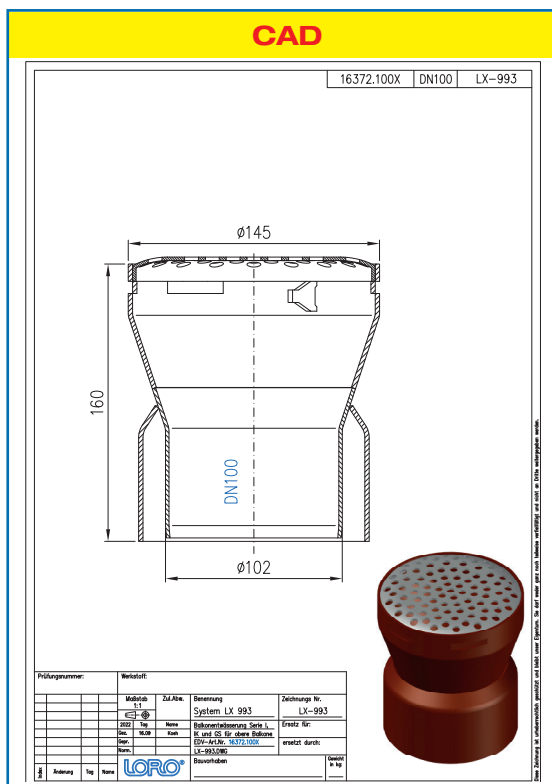
1 x Art.-No. 01005.100X, LORO-X Pipe with one socket

1 x Art.-No. 00911.100X, LORO-X Sealing elements

1 x Art.-No. 00986.000X, LORO-X Lubricant



Systempower



Systemshape

Wasserhöhe	mm	5	10	15	20	25	30	35	40	45	50	55	60	65	70	75	80
Abfluss	l/s	0,5	1,0	1,4	2,0	2,4	2,7	2,9	3,08	3,28	3,49	3,67	3,82	3,95	4,1	4,21	4,33
Silent																	

LORO-Balcony drainage, Series I, G, GF und GS

DN 100

with strainer for upper balconies

LX993-12X

with dome,
Series I
Drain Art.-No.
for plate thickness from:

120 mm: No. 16370.070X
140 mm: No. 16371.070X
160 mm: No. 16372.070X
180 mm: No. 16373.070X
200 mm: No. 16374.070X
220 mm: No. 16376.070X



Accessories

Strainer

for upper balconies

quadratic

Art.-Nr. 16197.000X



round

Art.-Nr. 16191.100X



Strainer support

quadratic

Art.-Nr. 16190.100X



round

Art.-Nr. 16195.100X



Attachment

for height adjustment
30 mm - 60 mm

Art.-No. 16192.100X



with strainer for upper balconies

LX993-12X

without supporting edge,
Series GS
Drain Art.-No.
for plate thickness from:

bis 350 mm: No. 16115.100X



LX993-12X

with supporting edge,
Series G
Drain Art.-No.
Length of downpipe:

250 mm: No. 16111.100X
3000 mm: No. 16131.100X



LX993-12X

with supporting edge,
Series GF

Drain Art.-No. 16110.100X



Accessories

Strainer

for upper balconies

quadratic

Art.-Nr. 16197.000X



round

Art.-Nr. 16191.100X



Strainer support

quadratic

Art.-Nr. 16190.100X



round

Art.-Nr. 16195.100X



Attachment

for height adjustment
30 mm - 60 mm

Art.-No. 16192.100X

